

CHFS SERIES

CARTRIDGE FILTER HOUSING

HOUSING MODELS

CHFS-1R to 55R: Single round to 55 round Cartridge Housing

CODE OF CONSTRUCTION

ASME Sect. VIII Div.1 - Pressure Vessel Code

APPLICATIONS

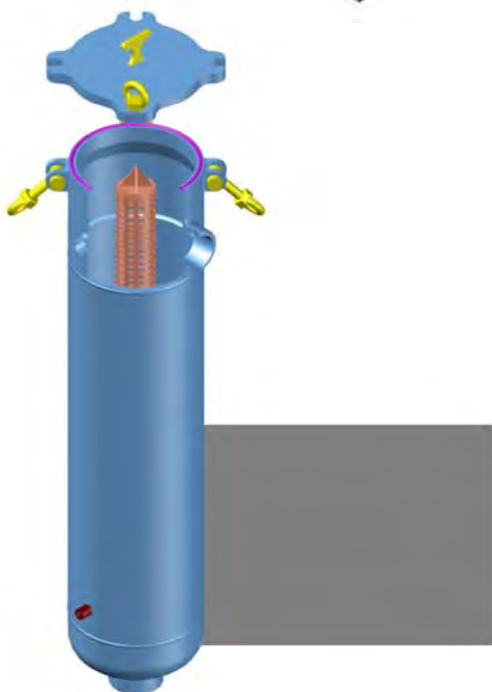
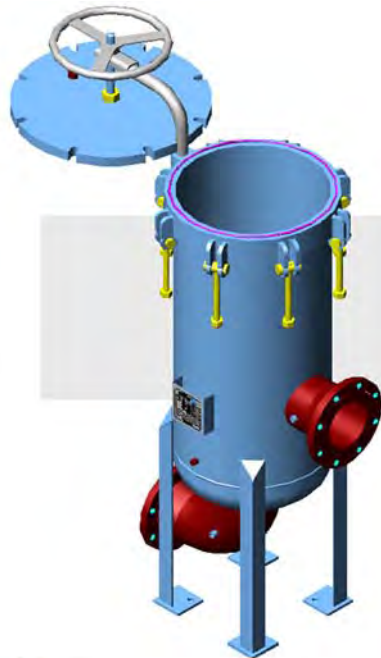
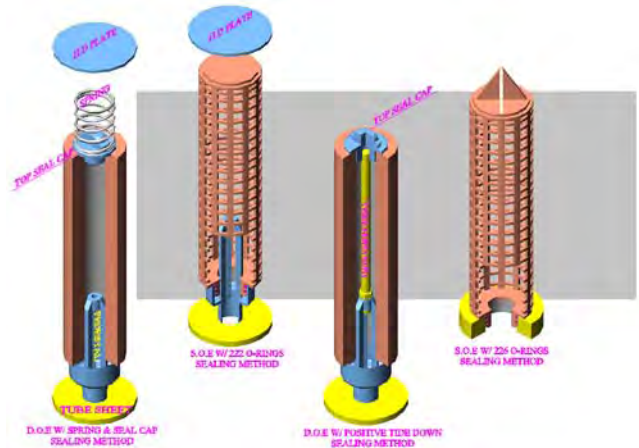
Oil and Gas Industry
Adhesives and Resins
Water, Pre-RO
Pharmaceutical and
Cosmetics
Chemical Industry
Food and Beverages
Petroleum Industry
Power Industry
Pulp & Paper Industry
Paints, Coatings & Ink
All Process Fluids

FILTER SOLUTIONS INC

FILTER SOLUTIONS INC

649 Enfield Road, Burlington, Ontario L7T 2X9 Toll Free: 877-352-2301 Fax: 905-637-3031 info@filtersolutions.com www.filtersolutions.com

FSI's cartridge filter housing can be used in many areas of the process industries such as oil and gas, water treatment, adhesive, resin and more. FSI's cartridge filter housing is furnished with a unique pedestal design which accommodates a variety of sealing mechanisms such as DOE with spring and seal, SOE with 222 O-ring, and positive-tied-down without the aid of a centering post.



HOUSING MODELS

CHFS-1R - 1 ROUND CARTRIDGE HOUSING
CHFS-6R - 6 ROUND CARTRIDGE HOUSING
CHFS-10R - 10 ROUND CARTRIDGE HOUSING
CHFS-12R - 12 ROUND CARTRIDGE HOUSING
CHFS-22R - 22 ROUND CARTRIDGE HOUSING
CHFS-28R - 28 ROUND CARTRIDGE HOUSING
CHFS-55R - 55 ROUND CARTRIDGE HOUSING

FEATURES

1. All standard cartridge housings come with Swing Bolt Closures, with SA 193 B7/SA 194 2H (zinc plated) nuts and bolts, for quick and easy access.
2. Housings can accommodate various sealing mechanisms.

HOUSING STANDARD SPECIFICATIONS

Design Code: ASME Section VIII, Division 1
Design Pressure: 150 PSIG / 1034 KPAG
Design Temperature: -20°F/225°F(-29°C/107°C)
M.O.C: CS, 304SS, 316SS and others
Closure: Swing Bolt with EPDM O-ring seal
Exterior Finish: (SS) Electro-polish
Exterior Finish: (CS) Blue Enamel

STANDARD CARTRIDGE FILTER HOUSING SPECIFICATIONS

MODEL NUMBER	HOUSING SIZE	¹ INLET / OUTLET SIZE	² VENT	² DRAIN	² GAUGE PORT	APPROX EMPTY WEIGHT		¹ MAX. FLOW RATE		¹ PRESSURE DROP @ MAX FLOW RATE		² IN/OUTLET CONFIG- URATION STYLE	² REPLACEMENT ELE- MENT (QTY) - SIZE
						LB	KG	GPM	LPM	PSID	KPAD		
CHFS-1R1H	4"	1.5"FNPT	1/4"FNPT	N/A	N/A	35	15.9	5	19	0.38	2.64	STYLE 1	(1)2.5"O.D x 10"LG.
CHFS-1R2H	4"	1.5"FNPT	1/4"FNPT	N/A	N/A	40	18.2	10	38	0.77	5.29	STYLE 1	(1)2.5"O.D x 20"LG.
CHFS-1R3H	4"	1.5"FNPT	1/4"FNPT	1/2"FNPT	N/A	45	20.5	15	57	1.15	7.94	STYLE 1	(1)2.5"O.D x 30"LG.
CHFS-1R4H	4"	1.5"FNPT	1/4"FNPT	1/2"FNPT	N/A	50	22.7	20	76	1.53	10.58	STYLE 1	(1)2.5"O.D x 40"LG.
CHFS-6R2H	8"	2"FNPT	1/4"FNPT	1/2"FNPT	1/2"FNPT	100	45.5	60	227	1.65	11.37	STYLE 1	(6)2.5"O.D x 20"LG.
CHFS-6R3H	8"	2"FNPT	1/4"FNPT	1/2"FNPT	1/2"FNPT	110	50	90	341	2.47	17.06	STYLE 1	(6)2.5"O.D x 30"LG.
CHFS-6R4H	8"	2"FNPT	1/4"FNPT	1/2"FNPT	1/2"FNPT	120	55	120	454	3.30	22.75	STYLE 1	(6)2.5"O.D x 40"LG.
CHFS-10R2H	10"	3"-150#	1/4"FNPT	1/2"FNPT	1/2"FNPT	190	86	100	379	1.85	12.76	STYLE 1	(10)2.5"O.D x 20"LG.
CHFS-10R3H	10"	3"-150#	1/4"FNPT	1/2"FNPT	1/2"FNPT	210	95	150	568	2.80	19.31	STYLE 1	(10)2.5"O.D x 30"LG.
CHFS-10R4H	10"	3"-150#	1/4"FNPT	1/2"FNPT	1/2"FNPT	230	105	200	757	3.70	25.51	STYLE 1	(10)2.5"O.D x 40"LG.

STANDARD CARTRIDGE FILTER HOUSING SPECIFICATIONS

MODEL NUMBER	HOUSING SIZE	² INLET / OUTLET SIZE	² VENT	² DRAIN	² GAUGE PORT	APPROX EMPTY WEIGHT		¹ MAX. FLOW RATE		¹ PRESSURE DROP @ MAX FLOW RATE		² IN/OUTLET CONFIG- URATION STYLE	² REPLACEMENT ELEMENT (QTY) - SIZE
						LB	KG	GPM	LPM	PSID	KPAD		
CHFS-12R2H	12"	3"-150#	1/4"FNPT	(2)1/2"FNPT	1/2"FNPT	310	141	140	530	1.72	11.87	STYLE 3	(12)2.5"O.D x 20"LG.
CHFS-12R3H	12"	3"-150#	1/4"FNPT	(2)1/2"FNPT	1/2"FNPT	340	155	210	795	2.58	17.80	STYLE 3	(12)2.5"O.D x 30"LG.
CHFS-12R4H	12"	3"-150#	1/4"FNPT	(2)1/2"FNPT	1/2"FNPT	370	168	280	1060	3.44	23.74	STYLE 3	(12)2.5"O.D x 40"LG.
CHFS-22R3H	16"	4"-150#	1/2"FNPT	(2)1"FNPT	1/2"FNPT	490	223	360	1363	2.57	17.74	STYLE 3	(22)2.5"O.D x 30"LG.
CHFS-22R4H	16"	4"-150#	1/2"FNPT	(2)1"FNPT	1/2"FNPT	540	245	480	1817	3.43	23.66	STYLE 3	(22)2.5"O.D x 40"LG.
CHFS-28R3H	18"	6"-150#	1/2"FNPT	(2)1"FNPT	1/2"FNPT	690	314	450	1703	1.71	11.79	STYLE 3	(28)2.5"O.D x 30"LG.
CHFS-28R4H	18"	6"-150#	1/2"FNPT	(2)1"FNPT	1/2"FNPT	740	336	600	2271	2.28	15.71	STYLE 3	(28)2.5"O.D x 40"LG.
CHFS-55R3H	24"	6"-150#	1/2"FNPT	(2)1.5"FNPT	1/2"FNPT	875	398	840	3180	1.79	12.36	STYLE 3	(55)2.5"O.D x 30"LG.
CHFS-55R4H	24"	8"-150#	1/2"FNPT	(2)1.5"FNPT	1/2"FNPT	935	425	1120	4240	2.39	16.47	STYLE 3	(55)2.5"O.D x 40"LG.

GENERAL NOTES

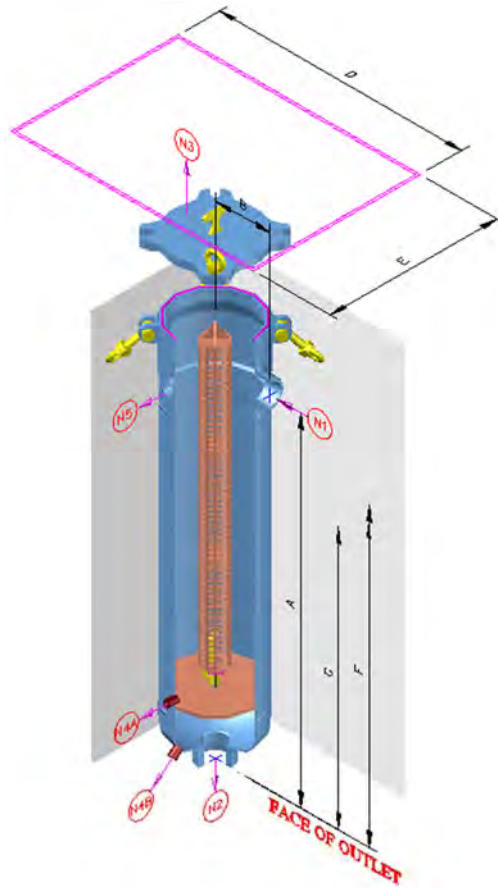
- Housing pressure drop is based on the flow of water through an open tube sheet and without filter elements. The total system pressure drop is the sum of the housing and filter element pressure drops. For optimal system flow rates, the type of fluid, housing pressure drop and filter element rating need to be taken into account. Increasing nozzle inlet/outlet connection sizes will decrease the housing pressure drop at the same flow rate. All technical information in this bulletin are for use as a general guide only. Actual results may vary depending on the fluid being filtered, viscosity, dirt loading and temperature.
- See housing ordering guide for options
- Housing Model: CHFS-6R & CHFS-10R housing c/w C.S zinc plated adjustable legs. CHFS-1R adjustable legs are optional.

CHFS

FILTER SOLUTIONS INC

FILTER SOLUTIONS INC

649 Enfield Road, Burlington, Ontario L7T 2X9 Toll Free: 877-352-2301 Fax: 905-637-3031 info@filtersolutions.com www.filtersolutions.com

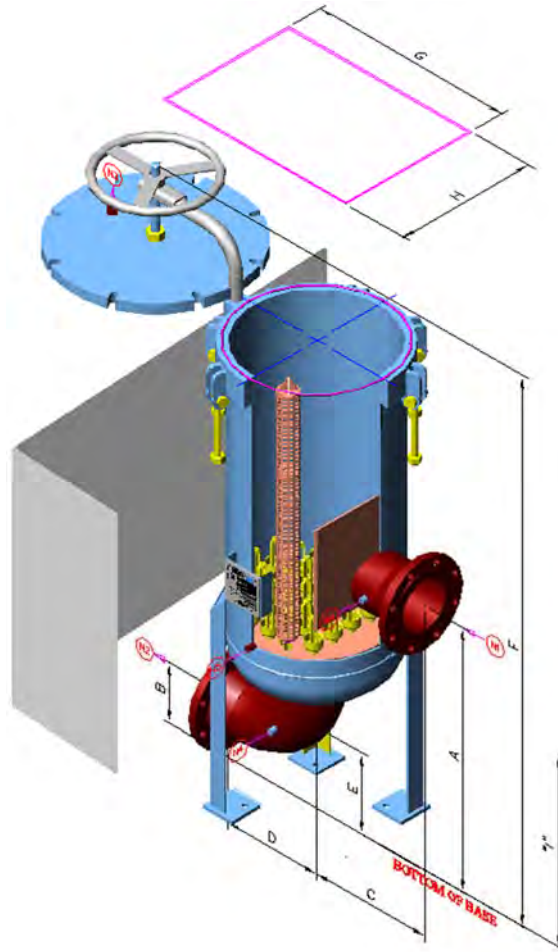


1R to 10R CARTRIDGE HOUSING DIMENSIONS

MODEL NUMBER	INLET C'L TO OUTLET FACE		VESSEL C'L TO INLET FACE		HOUSING (OAH)		HOUSING (OAL)		HOUSING (OAW)		ELEMENT REMOVAL CLEARANCE	
	A(IN)	A(mm)	B(IN)	B(mm)	C(IN)	C(mm)	D(IN)	D(mm)	E(IN)	E(mm)	F(IN)	F(mm)
CHFS-1R1H	11-5/16	287	3-1/4	83	16-1/2	419	6-1/2	165	5-3/4	146	24	610
CHFS-1R2H	21-5/16	541	3-1/4	83	26-1/2	673	6-1/2	165	5-3/4	146	44	1118
CHFS-1R3H	31-5/16	795	3-1/4	83	36-1/2	927	6-1/2	165	5-3/4	146	64	1626
CHFS-1R4H	41-5/16	1049	3-1/4	83	46-1/2	1181	6-1/2	165	5-3/4	146	84	2134
CHFS-6R2H	25-7/8	657	5-3/4	146	33	838	11-1/4	286	10	254	50	1270
CHFS-6R3H	35-7/8	911	5-3/4	146	43	1092	11-1/4	286	10	254	70	1778
CHFS-6R4H	45-7/8	1165	5-3/4	146	53	1346	11-1/4	286	10	254	90	2286
CHFS-10R2H	26-5/16	668	10-3/8	264	42-1/2	1080	16-3/4	425	13-1/4	337	52	1321
CHFS-10R3H	36-5/16	922	10-3/8	264	52-1/2	1334	16-3/4	425	13-1/4	337	72	1829
CHFS-10R4H	46-5/16	1176	10-3/8	264	62-1/2	1588	16-3/4	425	13-1/4	337	92	2337

Dimensions shown are for reference only. Consult FSI for certified drawing when required.

12R to 55R CARTRIDGE HOUSING DIMENSIONS



MODEL NUMBER	FLOOR TO INLET C'L		FLOOR TO OUTLET C'L		VESSEL C'L TO INLET FACE		VESSEL C'L TO OUTLET FACE		FLOOR TO CLEAN DRAIN C'L		HOUSING (OAH) IN OPERATING		HOUSING (OAL) IN OPERATING		HOUSING (OAW) IN OPERATING		ELEMENT REMOVAL CLEARANCE	
	A (IN)	A (mm)	B (IN)	B (mm)	C (IN)	C (mm)	D (IN)	D (mm)	E (IN)	E (mm)	F (IN)	F (mm)	G (IN)	G (mm)	H (IN)	H (mm)	I (IN)	I (mm)
CHFS-12R2H	28	711	7-5/8	194	11-3/8	289	7-1/4	184	8-15/16	227	54	1372	20-3/4	527	15	381	60	1524
CHFS-12R3H	28	711	7-5/8	194	11-3/8	289	7-1/4	184	8-15/16	227	64	1626	20-3/4	527	15	381	80	2032
CHFS-12R4H	28	711	7-5/8	194	11-3/8	289	7-1/4	184	8-15/16	227	74	1880	20-3/4	527	15	381	100	2540
CHFS-22R3H	29	737	6-3/16	157	13	330	9	229	7-15/16	202	65	1651	24-1/4	616	18-1/2	470	81	2057
CHFS-22R4H	29	737	6-3/16	157	13	330	9	229	7-15/16	202	75	1905	24-1/4	616	18-1/2	470	101	2565
CHFS-28R3H	32	813	7-3/16	183	14	356	12-1/2	318	9-7/8	251	67	1702	27	686	23	584	86	2184
CHFS-28R4H	32	813	7-3/16	183	14	356	12-1/2	318	9-7/8	251	77	1956	27	686	23	584	106	2692
CHFS-55R3H	37	940	7-3/4	197	18	457	16	406	11-1/4	286	77	1956	34-1/2	876	28	711	90	2286
CHFS-55R4H	37	940	7-3/4	197	18	457	16	406	11-1/4	286	87	2210	34-1/2	876	28	711	110	2794

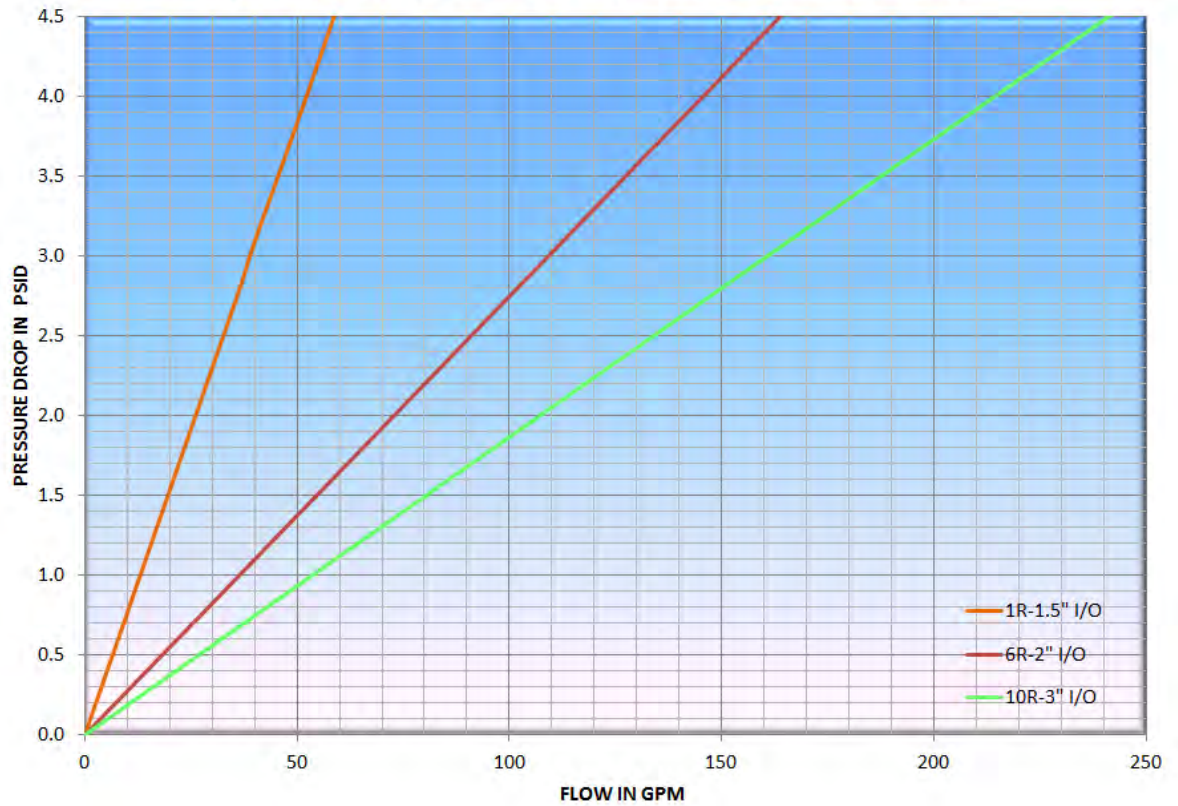
Dimensions shown are for reference only. Consult FSI for certified drawing when required.

FILTER SOLUTIONS INC

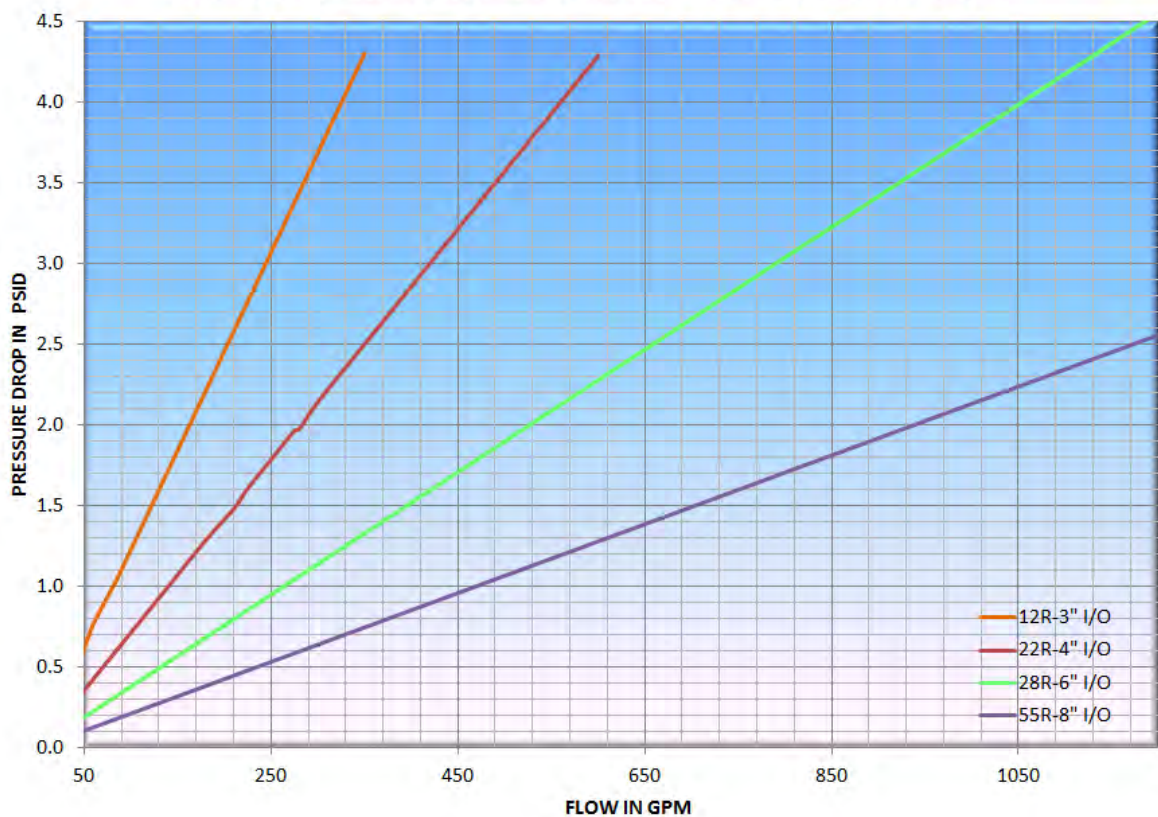
FILTER SOLUTIONS INC

649 Enfield Road, Burlington, Ontario L7T 2X9 Toll Free: 877-352-2301 Fax: 905-637-3031 info@filtersolutions.com www.filtersolutions.com

1R TO 10R CARTRIDGE HOUSING CLEAN PRESSURE DROP



12R TO 55R CARTRIDGE HOUSING CLEAN PRESSURE DROP

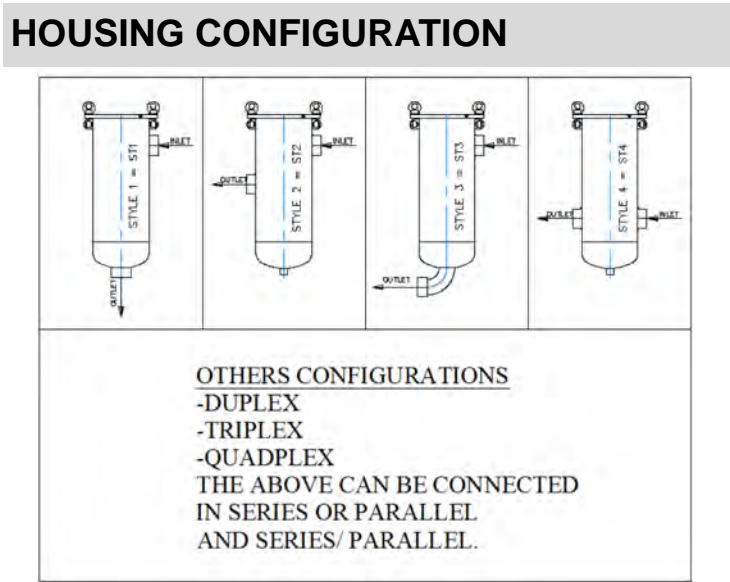


CHFS CARTRIDGE HOUSING ORDERING GUIDE

CHFS	6R2H	316SS	2"FNPT	ST1	U	1	
Housing Series Cartridge Housing	Housing Material <input type="checkbox"/> 304SS - 304 Stainless <input type="checkbox"/> 316SS - 316 Stainless <input type="checkbox"/> CS - Carbon Steel <input type="checkbox"/> Other	Inlet/Outlet - Type <input type="checkbox"/> 1" FNPT <input type="checkbox"/> 2" FNPT <input type="checkbox"/> 3" FNPT <input type="checkbox"/> 4" FNPT <input type="checkbox"/> 1"-150#FL to 8"-150#FL <input type="checkbox"/> Other	Code Stamping <input type="checkbox"/> NC = Non-Code <input type="checkbox"/> U = U Stamp <input type="checkbox"/> UM = UM Stamp <input type="checkbox"/> Other	Configuration <input type="checkbox"/> ST1 = Style 1 <input type="checkbox"/> ST2 = Style 2 <input type="checkbox"/> ST3 = Style 3 <input type="checkbox"/> ST4 = Style 4 <input type="checkbox"/> Other	CRN <input type="checkbox"/> Blank = None <input type="checkbox"/> BC = 1 <input type="checkbox"/> AB = 2 <input type="checkbox"/> SK = 3 <input type="checkbox"/> MB = 4 <input type="checkbox"/> ON = 5 <input type="checkbox"/> QC = 6 <input type="checkbox"/> NB = 7 <input type="checkbox"/> NS = 8 <input type="checkbox"/> PEI = 9 <input type="checkbox"/> NF = 0 <input type="checkbox"/> Other	Number of <input type="checkbox"/> 1R = 1 ELEMENT <input type="checkbox"/> 6R = 6 ELEMENTS <input type="checkbox"/> 10R = 10 ELEMENTS <input type="checkbox"/> 12R = 12 ELEMENTS <input type="checkbox"/> 22R = 22 ELEMENTS <input type="checkbox"/> 28R = 28 ELEMENT <input type="checkbox"/> 55R = 55 ELEMENT	Element Length <input type="checkbox"/> 1H = 10" LG. ELEMENT <input type="checkbox"/> 2H = 20" LG. ELEMENT <input type="checkbox"/> 3H = 30" LG. ELEMENT <input type="checkbox"/> 4H = 40" LG. ELEMENT

HOUSING OPTIONS
(Consult FSI)

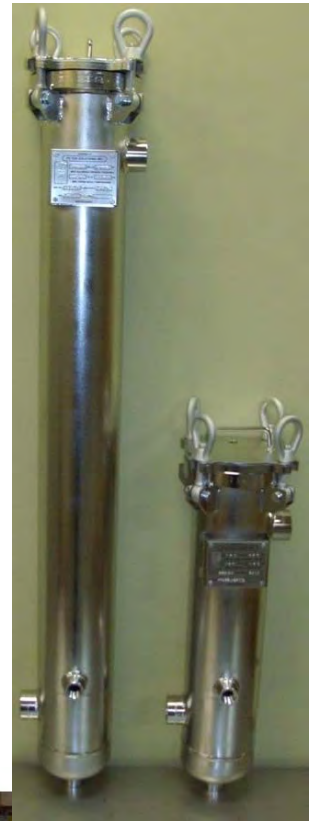
Pressure Class: Up to 2500# ANSI Flange
Code Stamping: ASME "U", "UM" and National Board Stamp
CRN Registration: All the applicable Canadian Jurisdiction
NDE: RT, UT, LPT, MT, WFMT, PMI & HT
PWHT: Per code or special requirement
Sour Service: Nace MR-103 & MR-0175 Compliance
Corrosion Allowance: 1/16" [1.6mm] to 1/4" [6mm]
Housing Material: Hastelloy, Alloy 20 and other
Bolting Material: SA 193 B7M/2HM, Stainless 304SS or 316SS
Adjustable Leg: Stainless Steel option
Connection: Add and up size
Configuration Style: All available styles and other such as duplex, triplex etc.
Surface Preparation: C/S interior blasting / SS interior mechanical polish & electro-polish
Coating: Ext / Internal with special paint.
O-Ring: Buna-N, EPR, Silicon, Viton, T.E.V, and other
Closure: Clam Shell Style, Q.O.C, ANSI bolted type and other



FILTER SOLUTIONS INC

FILTER SOLUTIONS INC

649 Enfield Road, Burlington, Ontario L7T 2X9 Toll Free: 877-352-2301 Fax: 905-637-3031 info@filtersolutions.com www.filtersolutions.com



HFFS SERIES

HIGH FLOW FILTER HOUSING

HFFS

HOUSING MODELS

HFFS-1R to 12R: Single round to 12 rounds High Flow Housing with vertical or horizontal configurations.

APPLICATIONS

Oil and Gas Industry
Adhesives and Resins
Water, Pre-RO
Pharmaceutical and Cosmetics
Chemical Industry
Food and Beverages
Petroleum Industry
Power Industry
Pulp & Paper Industry
Paints, Coatings & Ink
All Process Fluids

CODE OF CONSTRUCTION

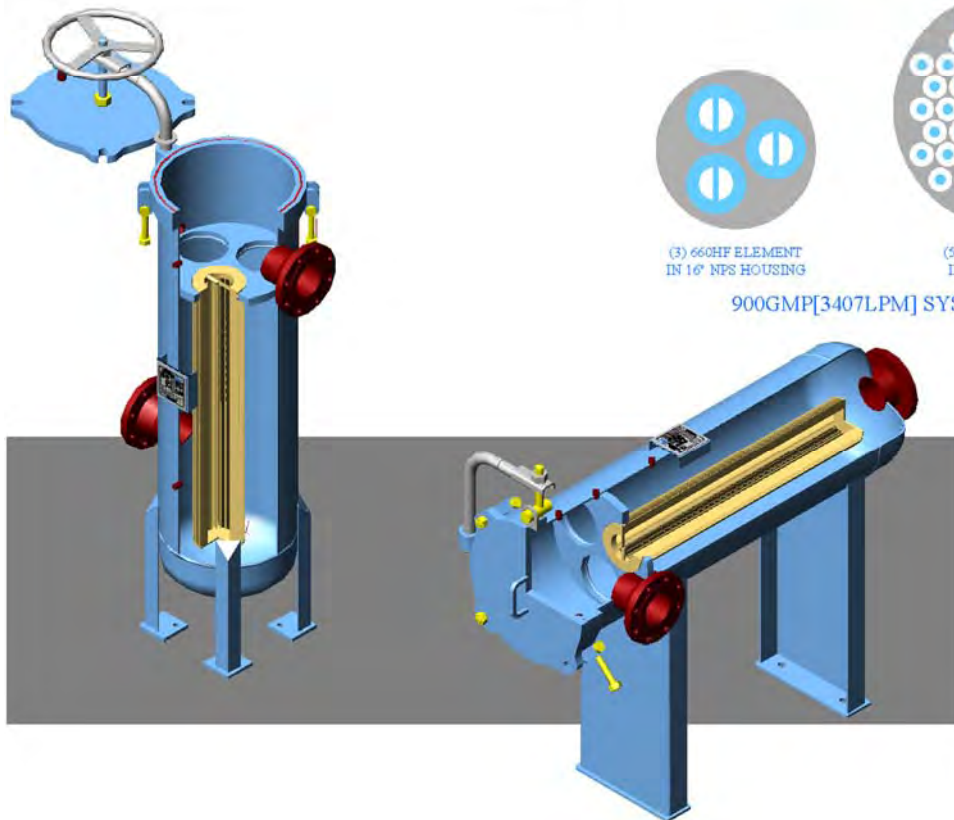
ASME Sect. VIII Div.1 - Pressure Vessel Code

FILTER SOLUTIONS INC

FILTER SOLUTIONS INC

649 Enfield Road, Burlington, Ontario L7T 2X9 Toll Free: 877-352-2301 Fax: 905-637-3031 info@filtersolutions.com www.filtersolutions.com

FSI's HFFS filter housing is designed to accommodate high flow rates ranging from 175 GPM to 3600 GPM. HFFS filter housing's compact design and versatile configuration allows for reduction in maintenance and disposal costs as a result of fewer element change outs.



FILTER SYSTEM COMPARISON



(1) 660HF ELEMENT
IN 8" NPS HOUSING

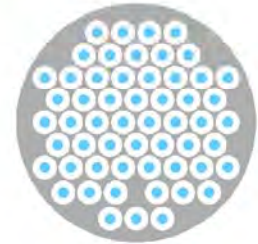


(14) 2.5"Ø CARTRIDGE
IN 12" NPS HOUSING

300GMP[1135LPM] SYSTEM



(3) 660HF ELEMENT
IN 16" NPS HOUSING



(56) 2.5"Ø CARTRIDGE
IN 24" NPS HOUSING

900GMP[3407LPM] SYSTEM

HOUSING STANDARD SPECIFICATIONS

Design Code: ASME Section VIII, Division 1
Design Pressure: 150 PSIG / 1034 KPAG
Design Temperature: -20°F/225°F(-29°C/107°C)
M.O.C: CS, 304SS, 316SS and others
Closure: Swing Bolt with EPDM O-ring seal
Exterior Finish: (SS) Electro-polish
Exterior Finish: (CS) Blue Enamel

FEATURES

1. Fewer elements and reduced change out interval.
2. All standard housings come with Swing Bolt Closures for quick and easy access.
3. Higher efficiency units reduce floor foot print.

HOUSING MODELS

HFFS-1R - 1 ROUND HIGH FLOW CARTRIDGE HOUSING
HFFS-3R - 3 ROUNDS HIGH FLOW CARTRIDGE HOUSING
HFFS-5R - 5 ROUNDS HIGH FLOW CARTRIDGE HOUSING
HFFS-7R - 7 ROUNDS HIGH FLOW CARTRIDGE HOUSING
HFFS-12R - 12 ROUNDS HIGH FLOW CARTRIDGE HOUSING

STANDARD 1R HIGH FLOW FILTER HOUSING SPECIFICATIONS

MODEL NUMBER	HOUSING SIZE	¹ INLET / OUTLET SIZE	² VENT	³ DRAIN	² GAUGE PORT	APPROX EMPTY WEIGHT		¹ MAX. FLOW RATE		¹ PRESSURE DROP @ MAX. FLOW RATE		² IN/OUTLET CONFIGURATION STYLE	² REPLACEMENT ELEMENT (QTY) - SIZE
						LB	KG	GPM	LPM	PSID	KPAD		
HFFS-1R-40V	8"	3"-150#	N3	N4/5	NG	150	68	175	662	3.21	22.10	STYLE 1	(1)6" DIA. x 40" LG.
HFFS-1R-40H	8"	3"-150#	1/2" FNPT	(2)1/2" FNPT	1/2" FNPT	170	77	175	662	3.21	22.10	STYLE 1	(1)6" DIA. x 40" LG.
HFFS-1R-60H	8"	4"-150#	1/2" FNPT	(2)1/2" FNPT	1/2" FNPT	200	91	300	1136	1.94	13.38	STYLE 1	(1)6" DIA. x 60" LG.

STANDARD MULTI ROUND HIGH FLOW FILTER HOUSING SPECIFICATIONS

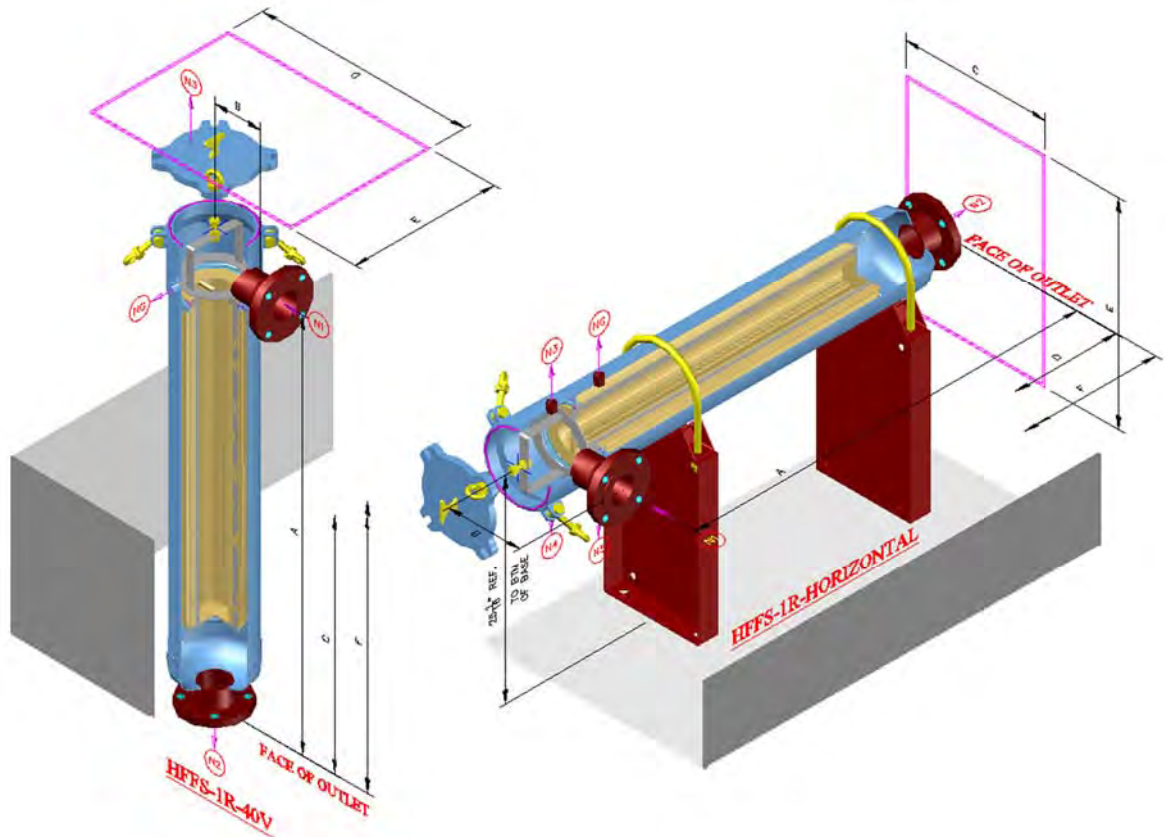
MODEL NUMBER	HOUSING SIZE	¹ INLET / OUTLET SIZE	³ VENT	³ DRAIN	² GAUGE PORT	APPROX EMPTY WEIGHT		¹ MAX. FLOW RATE		¹ PRESSURE DROP @ MAX. FLOW RATE		² IN/OUTLET CONFIGURATION STYLE	² REPLACEMENT ELEMENT (QTY) - SIZE
						LB	KG	GPM	LPM	PSID	KPAD		
HFFS-3R-40V	16"	4"-150#	N3	N4/5	N6/7	525	239	525	1987	2.01	13.82	STYLE 2	(3)6" DIA. x 40" LG.
HFFS-3R-40H	16"	4"-150#	1/2" FNPT	(2)1" FNPT	(2)1/2" FNPT	540	245	525	1987	2.01	13.82	STYLE 1	(3)6" DIA. x 40" LG.
HFFS-3R-60H	16"	6"-150#	1/2" FNPT	(2)1" FNPT	(2)1/2" FNPT	660	300	900	3407	1.14	7.89	STYLE 2	(3)6" DIA. x 60" LG.
HFFS-5R-40V	20"	6"-150#	1/2" FNPT	(2)1" FNPT	(2)1/2" FNPT	780	355	875	3312	1.08	7.45	STYLE 2	(5)6" DIA. x 40" LG.
HFFS-5R-40H	20"	6"-150#	1/2" FNPT	(2)1" FNPT	(2)1/2" FNPT	800	364	875	3312	1.08	7.45	STYLE 1	(5)6" DIA. x 40" LG.
HFFS-5R-60H	20"	8"-150#	1/2" FNPT	(2)1" FNPT	(2)1/2" FNPT	970	441	1500	5678	1.06	7.31	STYLE 2	(5)6" DIA. x 60" LG.
HFFS-7R-40V	24"	8"-150#	1/2" FNPT	(2)1.5" FNPT	(2)1/2" FNPT	980	445	1225	4637	0.71	4.87	STYLE 2	(7)6" DIA. x 40" LG.
HFFS-7R-40H	24"	8"-150#	1/2" FNPT	(2)1.5" FNPT	(2)1/2" FNPT	1000	455	1225	4637	0.71	4.87	STYLE 1	(7)6" DIA. x 40" LG.
HFFS-7R-60H	24"	10"-150#	1/2" FNPT	(2)1.5" FNPT	(2)1/2" FNPT	1200	545	2100	7949	0.84	5.76	STYLE 2	(7)6" DIA. x 60" LG.
HFFS-12R-40V	30"	10"-150#	1/2" FNPT	(2)1.5" FNPT	(2)1/2" FNPT	1300	591	2100	7949	0.84	5.76	STYLE 2	(12)6" DIA. x 40" LG.
HFFS-12R-40H	30"	10"-150#	1/2" FNPT	(2)1.5" FNPT	(2)1/2" FNPT	1330	605	2100	7949	0.84	5.76	STYLE 1	(12)6" DIA. x 40" LG.
HFFS-12R-60H	30"	12"-150#	1/2" FNPT	(2)1.5" FNPT	(2)1/2" FNPT	1620	736	3600	13627	1.20	8.24	STYLE 2	(12)6" DIA. x 60" LG.

GENERAL NOTES

- Housing pressure drop is based on the flow of water through an open tube sheet and without filter elements. The total system pressure drop is the sum of the housing and filter element pressure drops. For optimal system flow rates, the type of fluid, housing pressure drop and filter element rating need to be taken into account. Increasing nozzle inlet/outlet connection sizes will decrease the housing pressure drop at the same flow rate. All technical information in this bulletin are for use as a general guide only. Actual results may vary depending on the fluid being filtered, viscosity, dirt loading and temperature.
- See housing ordering guide for options
- Housing Model: HFFS-1R- housings c/w C.S zinc plated adjustable legs/saddles.

FILTER SOLUTIONS INC

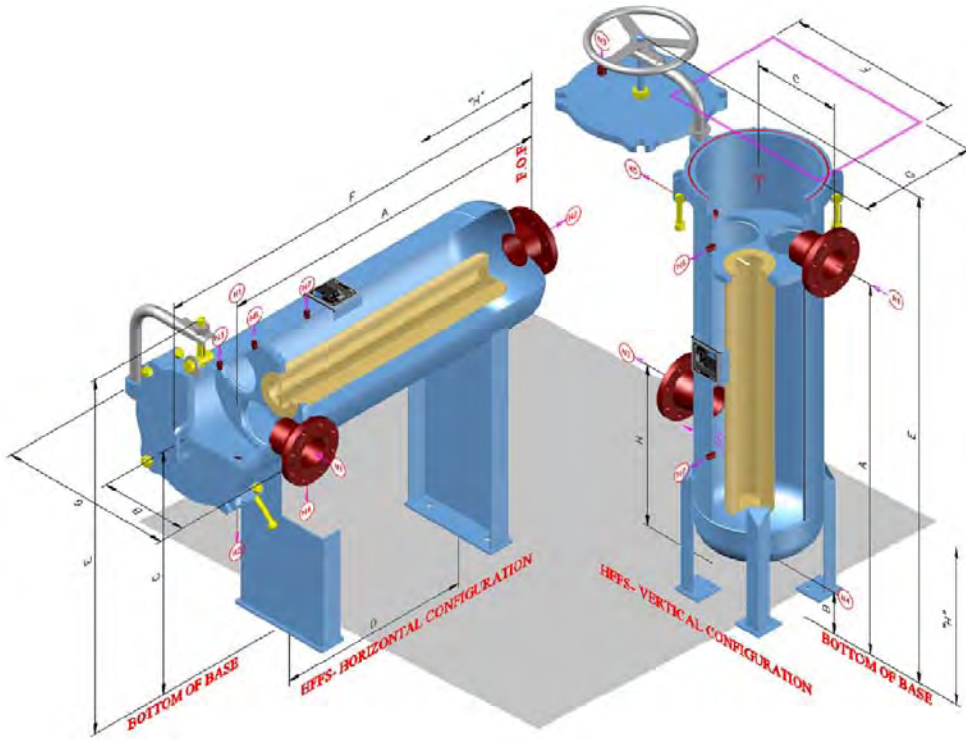
649 Enfield Road, Burlington, Ontario L7T 2X9 Toll Free: 877-352-2301 Fax: 905-637-3031 info@filtersolutions.com www.filtersolutions.com



1R HFFS HOUSING DIMENSIONS

MODEL NUMBER	INLET C'L TO OUTLET FACE		VESSEL C'L TO INLET FACE		HOUSING (OAH) IN OPERATING		HOUSING (OAL) IN OPERATING		HOUSING (OAW) IN OPERATING		ELEMENT REMOVAL CLEARANCE	
	A(IN)	A(mm)	B(IN)	B(mm)	C(IN)	C(mm)	D(IN)	D(mm)	E(IN)	E(mm)	F(IN)	F(mm)
HFFS-1R-40V	47-3/8	1203	5-3/4	146	54-1/2	1384	13	330	13	330	91	2311
HFFS-1R-40H	47-3/8	1203	5-3/4	146	30-1/2	775	54-1/2	1384	12	305	91	2311
HFFS-1R-60H	68-1/2	1740	9-5/16	237	30-1/2	775	75-1/2	1918	15-1/2	394	111	2819

Dimensions shown are for reference only. Consult FSI for certified drawing when required.



MULTI ROUND VERTICAL HFFS HOUSING DIMENSIONS

MODEL NUMBER	FLOOR TO INLET C'L		FLOOR TO OUTLET C'L		VESSEL C'L TO INLET/OUTLET FACE		FLOOR TO DRAIN FACE		HOUSING (OAH) IN OPERATING		HOUSING (OAL) IN OPERATING		HOUSING (OAW) IN OPERATING		ELEMENT REMOVAL CLEARANCE	
	A (IN)	A (mm)	B (IN)	B (mm)	C (IN)	C (mm)	D (IN)	D (mm)	E (IN)	E (mm)	F (IN)	F (mm)	G (IN)	G (mm)	H (IN)	H (mm)
HFFS-3R-40V	55	1397	24	610	13	330	6-1/16	154	74	1880	26-1/2	673	18-1/2	470	102	2591
HFFS-5R-40V	56	1422	25	635	15	381	6-9/16	167	75-1/4	1911	30-1/2	775	23	584	103	2616
HFFS-7R-40V	59	1499	26	660	18	457	6-1/16	154	84-1/2	2146	36-1/2	927	28	711	109	2769
HFFS-12R-40V	62	1575	28	711	23	584	6-5/8	168	91-1/2	2324	46-1/2	1181	35-1/2	902	114	2896

MULTI ROUND HORIZONTAL HFFS HOUSING DIMENSIONS

MODEL NUMBER	INLET C'L TO OUTLET FACE		VESSEL C'L TO INLET FACE		FLOOR TO VESSEL C'L		SADDLE C'L TO C'L		HOUSING (OAH) IN OPERATING		HOUSING (OAL) IN OPERATING		HOUSING (OAW) IN OPERATING		ELEMENT REMOVAL CLEARANCE	
	A (IN)	A (mm)	B (IN)	B (mm)	C (IN)	C (mm)	D (IN)	D (mm)	E (IN)	E (mm)	F (IN)	F (mm)	G (IN)	G (mm)	H (IN)	H (mm)
HFFS-3R-40H	50-13/16	1291	13	330	36	914	29	737	53	1346	62	1575	25-1/2	648	98	2489
HFFS-3R-60H	71-1/16	1805	14	356	36	914	49	1245	53	1346	82-1/2	2096	26-1/2	673	138	3505
HFFS-5R-40H	51-5/8	1311	15	381	36	914	29	737	55-1/4	1403	63-1/4	1607	26-1/2	673	99	2515
HFFS-5R-60H	73	1854	15	381	36	914	49	1245	55-1/4	1403	85-3/4	2178	26-1/2	673	140	3556
HFFS-7R-40H	55-1/4	1403	18	457	36	914	32	813	58-1/2	1486	74-1/4	1886	32-1/4	819	105	2667
HFFS-7R-60H	76	1930	20	508	36	914	52	1321	58-1/2	1486	96	2438	34-1/4	870	147	3734
HFFS-12R-40H	57-13/16	1462	23	584	36	914	34	864	61-1/2	1562	80-3/4	2051	41	1041	110	2794
HFFS-12R-60H	78-7/8	2003	23	584	36	914	54	1372	61-1/2	1562	102	2591	41	1041	150	3810

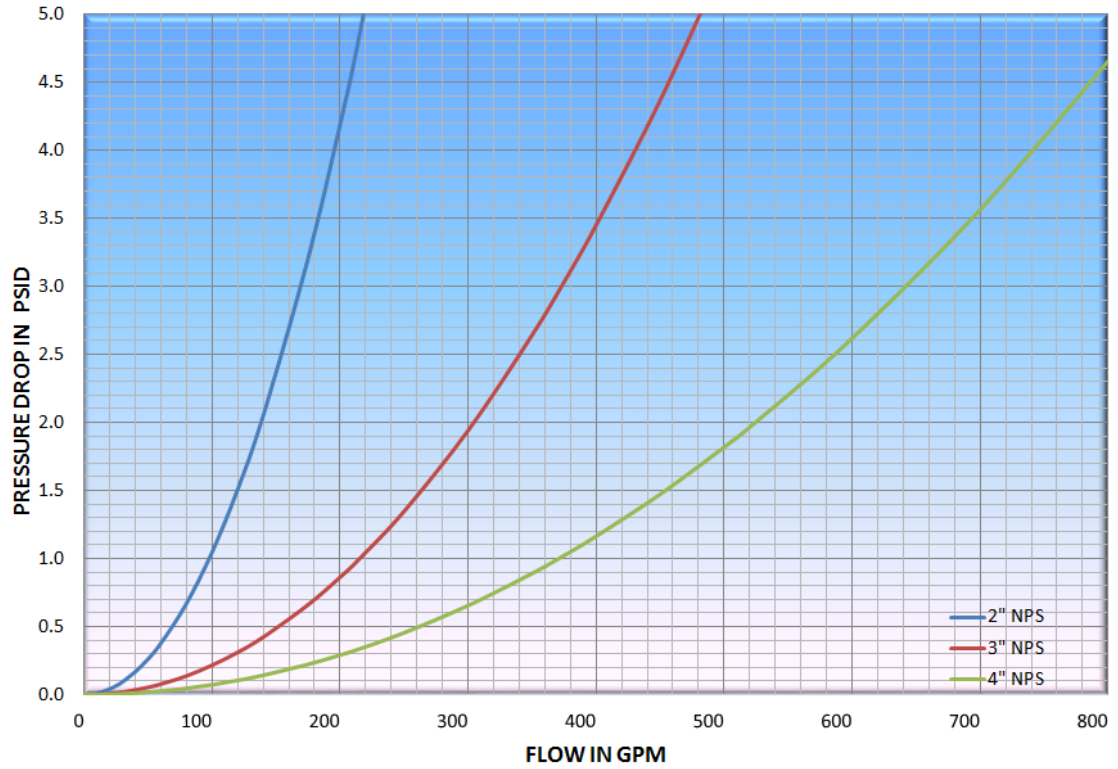
Dimensions shown are for reference only. Consult FSI for certified drawing when required.

FILTER SOLUTIONS INC

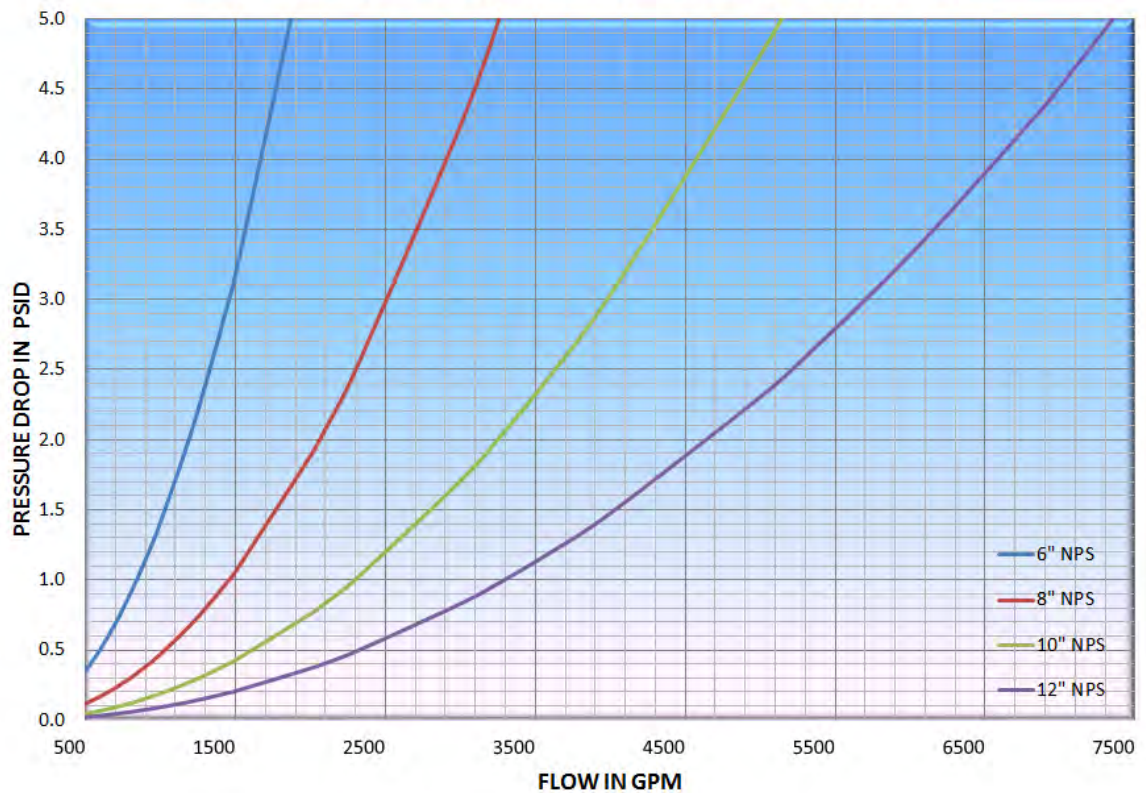
FILTER SOLUTIONS INC

649 Enfield Road, Burlington, Ontario L7T 2X9 Toll Free: 877-352-2301 Fax: 905-637-3031 info@filtersolutions.com www.filtersolutions.com

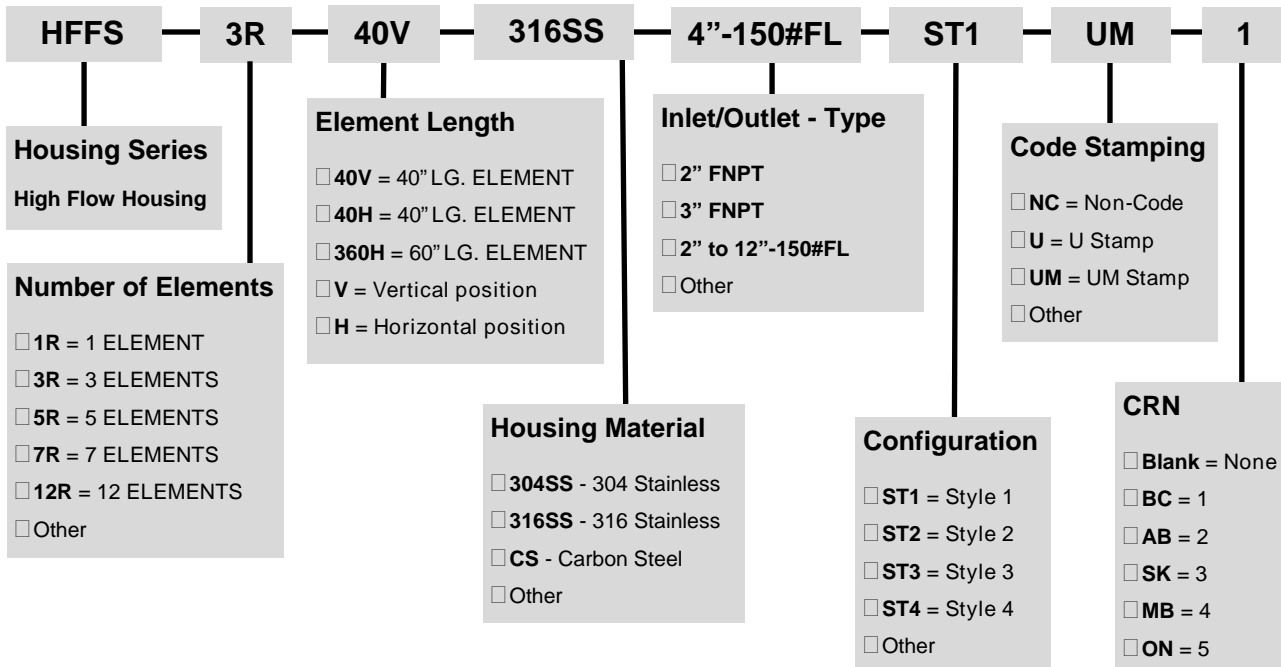
HIGH FLOW HOUSING CLEAN PRESSURE FOR 2"-4" INLET/OUTLET



HIGH FLOW HOUSING CLEAN PRESSURE FOR 6"-12" INLET/OUTLET



HFFS HOUSING ORDERING GUIDE



HFFS

HOUSING OPTIONS

(Consult FSI)

Pressure Class: Up to 2500# ANSI Flange

Code Stamping: ASME "U" , "UM" and National Board Stamp

CRN Registration: All the applicable Canadian Jurisdiction

NDE: RT, UT, LPT, MT, WFMT, PMI & HT

PWHT: Per code or special requirement

Sour Service: Nace MR-103 & MR-0175 Compliance

Corrosion Allowance: 1/16" [1.6mm] to 1/4" [6mm]

Housing Material: Hastelloy, Alloy 20 and other

Bolting Material: SA 193 B7M/2HM, Stainless 304SS or 316SS

Adjustable Leg: Stainless Steel option

Connection: Add and up size

Configuration Style: All available styles and other such as duplex, triplex etc.

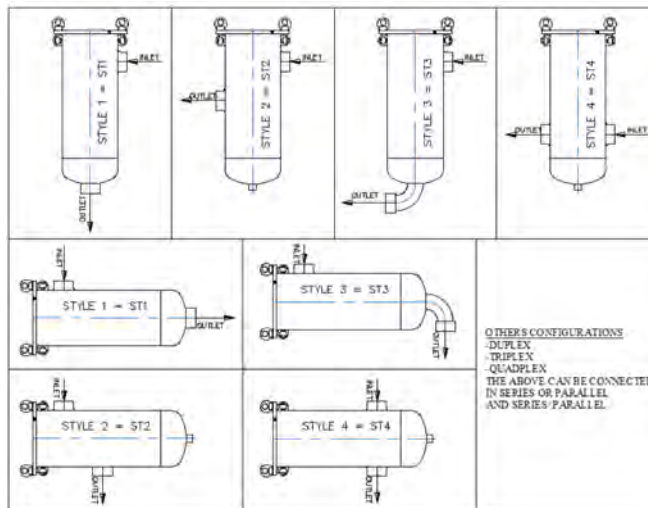
Surface Preparation: C/S interior blasting / SS interior mechanical polish & electro-polish

Coating: Ext / Internal with special paint.

O-Ring: Buna-N, EPR, Silicon, Viton, T.E.V, and other

Closure: Clam Shell Style, Q.O.C, ANSI bolted type and other

HOUSING CONFIGURATION



FILTER SOLUTIONS INC

FILTER SOLUTIONS INC

649 Enfield Road, Burlington, Ontario L7T 2X9 Toll Free: 877-352-2301 Fax: 905-637-3031 info@filtersolutions.com www.filtersolutions.com

